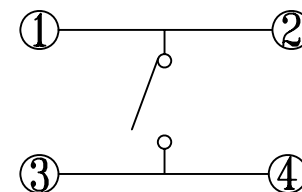
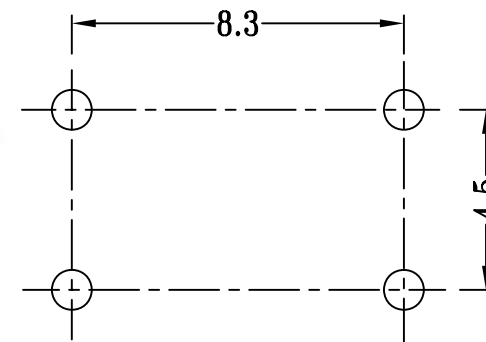
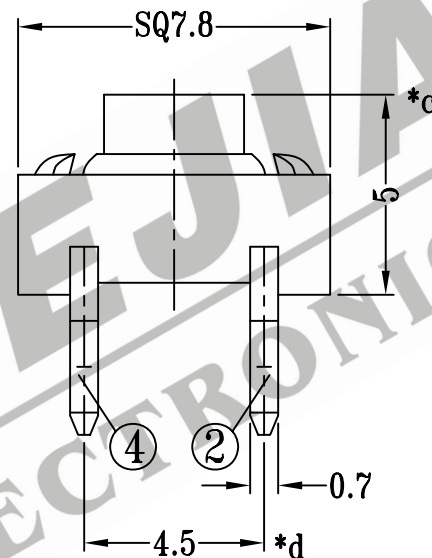
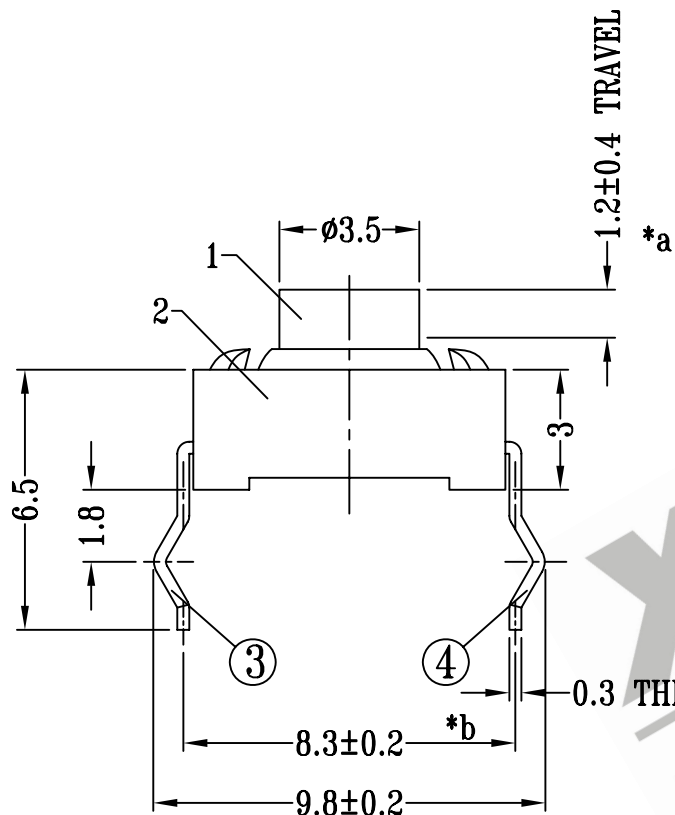


CAD FILE:



SCHEMATIC



P.C.B LAYOUT

注：“*”表示关键尺寸（4个）

8					TOLERANCE	SHENZHEN XIEJIA ELECTRONICS CO.,LTD.				
7					UNLESS SPECIFIED					
6					WITHIN : 1.5±0.1mm	ISSUE	DATE	DESCRIPTIONS OF REVISION		APPD.
5				OVER : 1.5±0.2mm						
4					TITLE : TACT SWITCH	UNIT : mm		DRWG NO.: XJ-DR-TC17XA-00		
3					MODEL: TC-17XA	SCALE: 5:1		DWN.	ZHOUYU	2002-8-12
2	CASE	NYLON+F.G/BRASS STRIP	1	BLACK/Ag PLATED OVER Ni PLATED	ALL MATERIALS MUST BE COMPLIANT TO ROHS		CHK'D	FANGYING	2002-8-12	
1	KNOB	RUBBER	1	GREY			APPD.	KANGXINAN	2002-8-12	
NO.	PARTS	MATERIALS	Q'TY	FINISH						